

FEATURED MODEL

441400 Laundry Single Bowl (3-Hole), 12" bowl depth

FEATURES

- Required outside cabinet: 24"
- 18 gauge, 304 series stainless steel
- Premium 18/10 chrome/nickel content
- Brushed Satin finish
- Sound deadening pads
- Rail clip system provides easy install with maximum countertop secure fit
- Coordinates with BLANCO TORINO faucet

CODE/STANDARDS COMPLIANCE

ASME 112.19.3-00
IAPMO/UPC listed

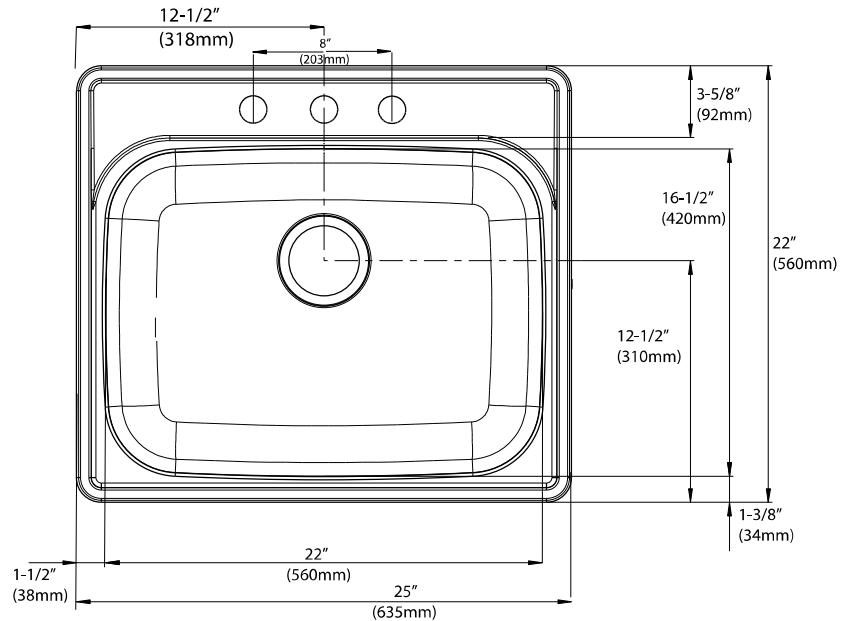


NOMINAL DIMENSIONS

Model 441400 shown

OVERALL	CUT OUT SIZE	BOWL DEPTH	DRAIN
25" x 22"	24" x 21-1/8"	12"	3-1/2"

DXF cutout templates available on our website.



WARRANTY

Blanco America's Stainless Steel sinks feature a LIMITED LIFETIME WARRANTY to be free of all manufacturing defects under normal use. See our complete warranty for details.

While Blanco America endeavors to provide accurate information, all dimensions are nominal, cannot be guaranteed, and are subject to change or cancellation. Blanco America assumes no responsibility for use of superseded or voided specifications.

JOB INFORMATION

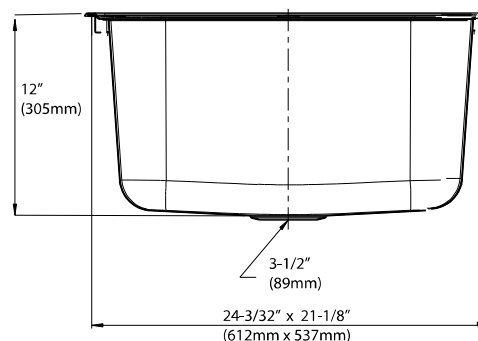
Job Name: _____

Contact: _____

Date Specified: _____

Specifier: _____

Contractor: _____



BLANCO AMERICA

800.451.5782

www.blancoamerica.com

© 2013 BLANCO AMERICA

6/13

SPEC-003